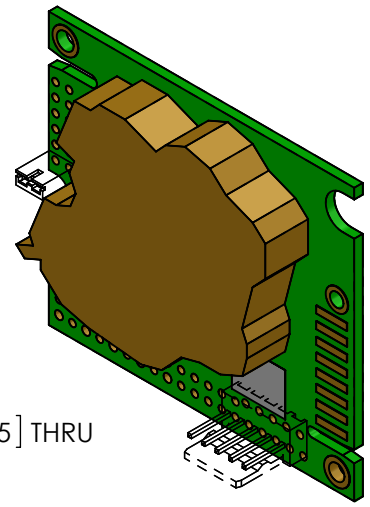


APPLICABLE MODELS BELOW:	
SKU #	DESCRIPTION
ESSE-18	1% CO2
ESSE-118	10% CO2

*Includes connectors shown in phantom lines below



- NOTES:**
- DO NOT SCALE FROM THIS DRAWING
 - PRIMARY UNITS IN INCHES (IN), DUAL UNITS IN MILLIMETERS (MM).
 - BOARD ELECTRONIC COMPONENTS, SENSOR AND SURFACE DETAILS FOR ILLUSTRATION PURPOSES ONLY.



Title K30 CO2 SENSOR

APPROVALS	DATE	SIZE	PART NO.	REV
DRAWN JMC	11/19/2013	A	VDD-0019	-
CHECKED MV	12/13/2013	SCALE 1:1	THIRD ANGLE PROJECTION	SHEET 1 OF 2