

Datasheet: ESTON-03 CO2 + VOC + RHT Monitor with Alarm



The Tongdy CO₂, VOC, temperature and humidity monitor with Alarm lets you quickly and easily check indoor air quality in any room. Use it in stand-alone mode to monitor air quality with its easy-to-read backlit LCD display that quickly changes from green to yellow to red as air quality declines. Above 1,800 ppm, a built-in buzzer warns you that CO₂ levels have become too high for indoor comfort. You can also read the individual air quality readings directly from the display.

Need more control? Use the monitor's built-in on/off relay to automatically turn on a fresh-air fan or ventilation system.

With its single-button ease of use and simple 110VAC power requirements, the Tongdy CO₂, Temperature and Humidity monitor with Alarm is perfect for homes, offices, meeting rooms, classrooms, or anywhere monitoring indoor air quality is important for occupant's comfort.

- **Real-time Carbon Dioxide Monitor with Alarm**
- **VOC Sensor Monitors Volatile Organic Compounds**
- **Temperature and % Relative Humidity**
- **Buzzer & Visual Alarm Display**

CO₂ Sensor

Measurement Range	0 – 5,000 ppm
Sensing Method	non-dispersive infrared (NDIR) with automatic background calibration
Sampling Method	diffusion
Response Time (T _{1/e})	< 2 minutes for 90% step change
Signal update	Every 2 seconds
Warm up time	2 hours after initial power up for ABC calibration, 2 minutes on subsequent use

Total Volatile Organic Compound Sensor

Measurement Range	0 – 30ppm
Display Resolution	5ppm

Temperature and Humidity Sensors

Relative Humidity Range	0 – 100% RH (non condensing)
Temperature Range	-20 – 144°F (0 - 60°C)

General Performance

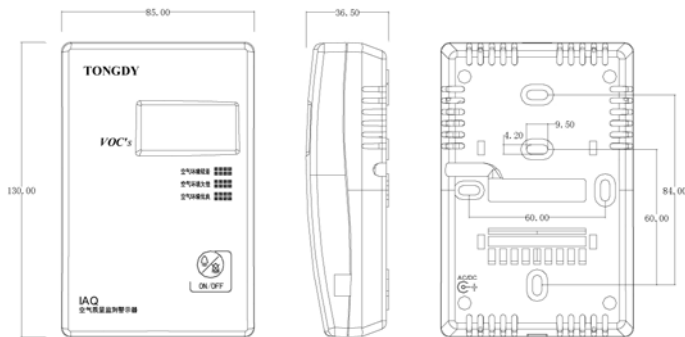
Maintenance Interval	no maintenance required
Self-Diagnostics	complete function check of the sensor module
Warm-up Time	≤ 1 min
Conformance with the standards.....	CE-Approval
Operating Environment	Residential & business indoor spaces

Electrical/Mechanical

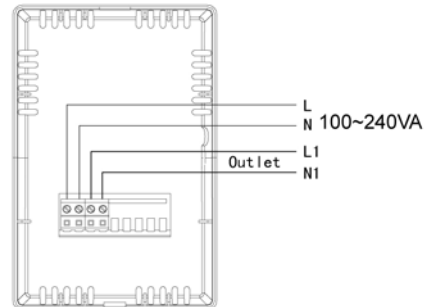
Power Input.....	100-240VAC
Current Consumption	2.5 W average, 3.5 W Max.
Relay	One NO relay, 3A max, resistance load
Housing	PC/ABS fireproof plastic material; protection class IP30
Dimensions	130mm (H) × 85mm (W) × 36.5mm (D), 200g

Warranty

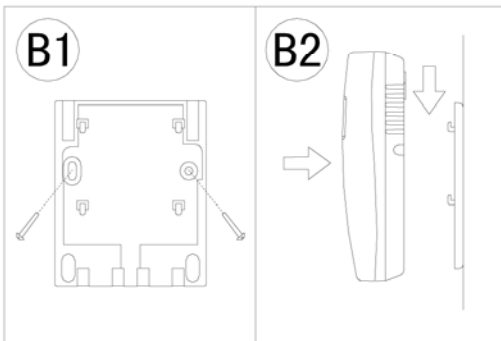
Model TON-0003	1 Year
----------------	--------



Wall mount wiring



Wall mounting-base bracket



Desktop- bracket

